

# MERRICK



**GRAVIMERIK®**  
Model 570  
Loss-in-Weight Feeder

## DIMENSIONS AND SPECIFICATIONS

### MATERIALS OF CONSTRUCTION

- 304 SS Metal Parts. 316 SS is Optional
- All Non-metallic Parts are USDA or FDA Approved

### POWER REQUIREMENTS

- 115V ± 10% Single Phase, 50/60 Hz

### VARIABLE SPEED DRIVE

- 1/4 or 1/2 HP DC Motor with SCR Motor Speed Controller

### ACCURACY

- UP TO ±0.25% of Set Rate at 2 Sigma

### AMBIENT TEMPERATURE LIMITS

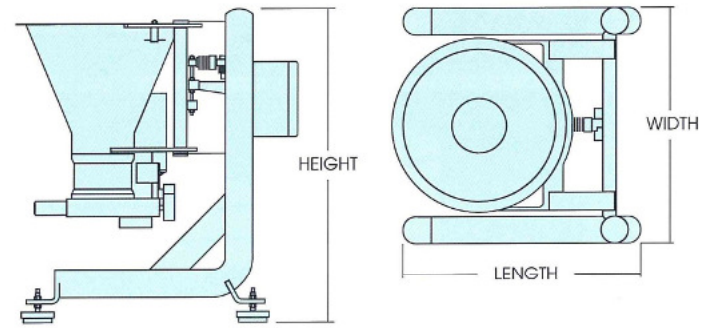
- 0° TO 77° C (32° TO 170° F)

### TURNDOWN

- 15:1 from Maximum Feedrate

### ADDITIONAL MODELS

- Consult Factory for Model E-4 and Larger Feeders



MODEL	BASE HOPPER SIZE	MAXIMUM FEEDRATE	HEIGHT	LENGTH	WIDTH
570-E1	0.75 FT³	2,000 P/H 907 Kg/H	33.0 Inches 838 mm	25.0 Inches 635 mm	25.0 Inches 635 mm
570-E2	1.50 FT³	10,000 P/H 4,536 Kg/H	38 Inches 965 mm	25.0 Inches 635 mm	25.0 Inches 635 mm
570-E3	5.00 FT³	24,000 P/H 10,886 Kg/H	50.0 Inches 1,270 mm	37.0 Inches 940 mm	36.0 Inches 914 mm

Maximum feedrates will vary based on material characteristics.

All dimensions are approximate and for reference only.

**MERRICK**  
MERRICK INDUSTRIES, INC.  
TOLL FREE 1-888-MERRICK

10 Arthur Drive  
Lynn Haven, FL 32444  
Phone: (850)265-3611  
Fax: (850)265-9768  
E-mail: info@merrick-inc.com  
Web Site: http://www.merrick-inc.com

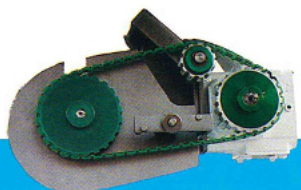
Merrick de Mexico  
Paral 78, BIS SEXTO PISO  
Deleg. Cuauhtemoc  
Col. Condesa  
06140 MEXICO, D.F.  
Phone: (525)286-3544  
FAX: (525)553-4063

© 1996, Merrick Industries, Inc.  
Form 3-1-96  
Printed in USA

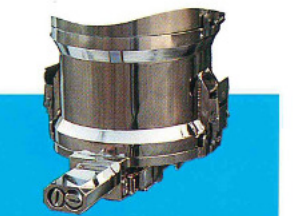
NOTE: The information contained herein is the property of Merrick Industries, Inc. and is released upon condition that it is not to be reproduced or copied, in whole or in part, or used for furnishing information to others, or for any other purpose detrimental to the interests of Merrick Industries, Inc. Patents are issued or pending covering original ideas.

## THE GRAVIMERIK® MODEL 570 THE NEXT GENERATION OF LOSS-IN-WEIGHT FEEDERS

- Sanitary Design to Eliminate Contaminant Build-Up
- Stainless Steel Washdown Construction for Quick Cleaning
- Open Design for Easy Access to All Components
- Single, Hermetically-Sealed Stainless Steel Load Cell for Accuracy and Reliability

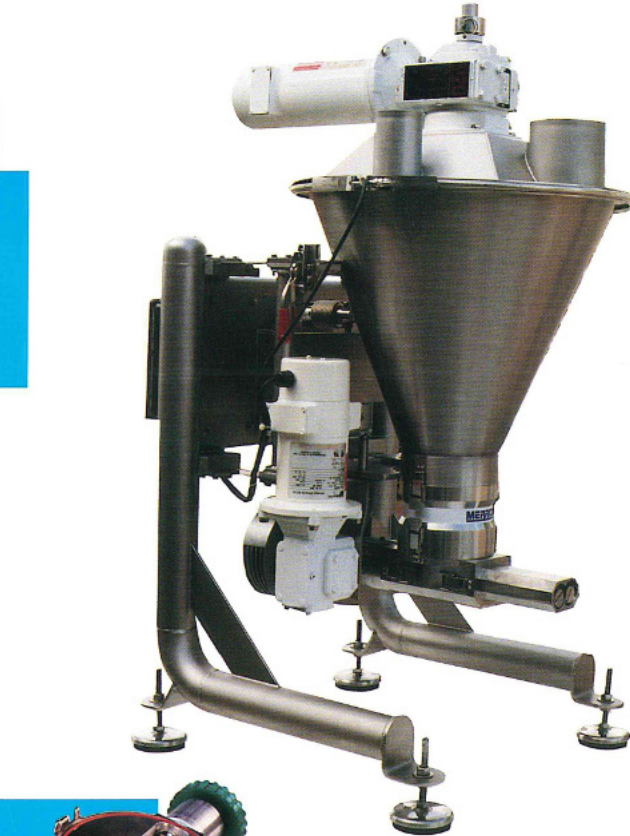


**COG BELT DRIVE**  
Eliminates the need for periodic lubrication and maintenance. Toothed belt is reinforced with two stainless steel cables for strength and long life.



**QUICK RELEASE CLAMPS**  
Quick release clamps allow modules to be removed and installed without the use of tools.

**INTERCHANGEABLE DISCHARGE DEVICES**  
Twin Screw, Single Screw and Vibratory Discharge Modules are available and designed to be interchangeable for maximum flexibility.



Note: Standard floor mount frame shown. Optional hanging frame style is available.

## “NO TOOLS” MODULAR CONSTRUCTION THE SOLUTION TO CHANGING PROCESS REQUIREMENTS

If your process requirements change, so can your feeder. All components in the path of material flow can be removed and replaced without the use of tools.

Installation, inspection, cleaning, and maintenance are all made simpler by the use of hand clamps for removal and replacement of the feeder components.

